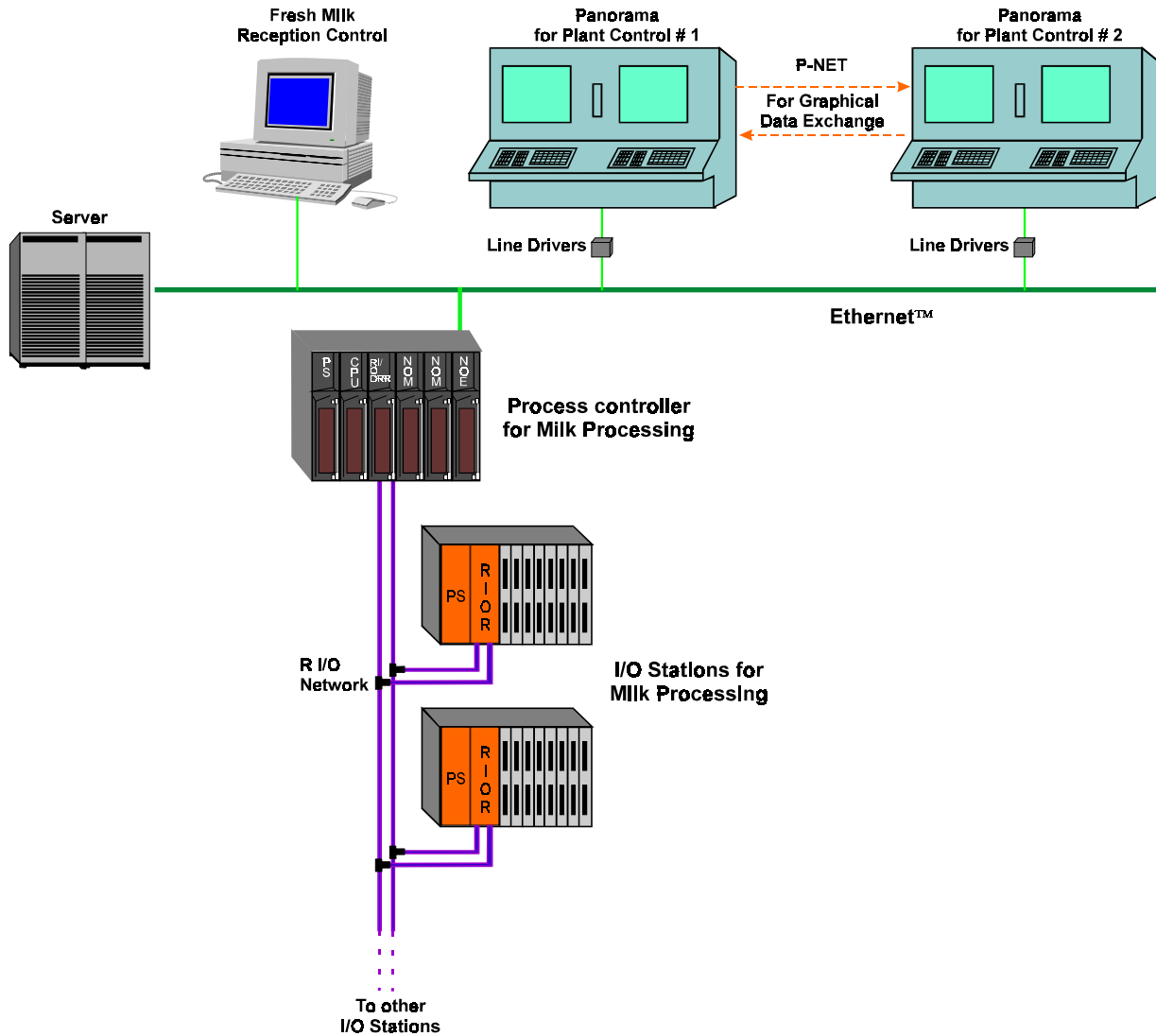
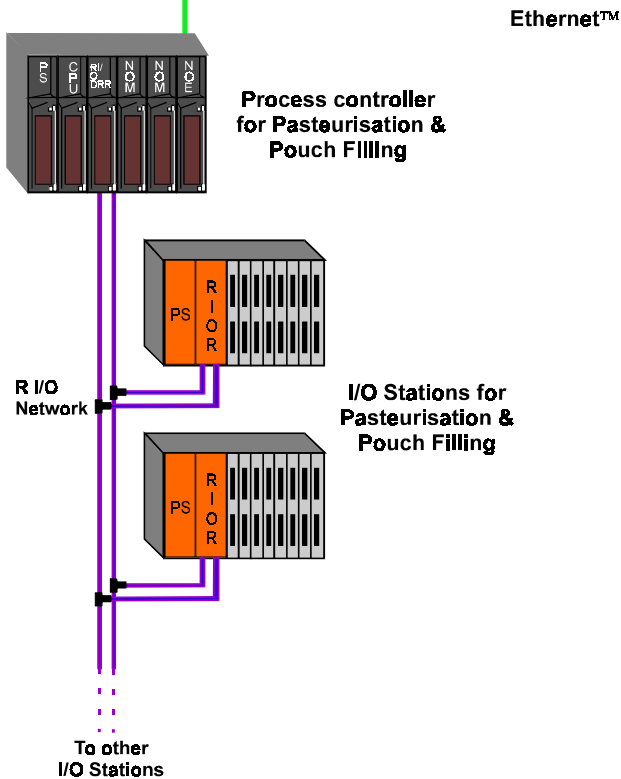
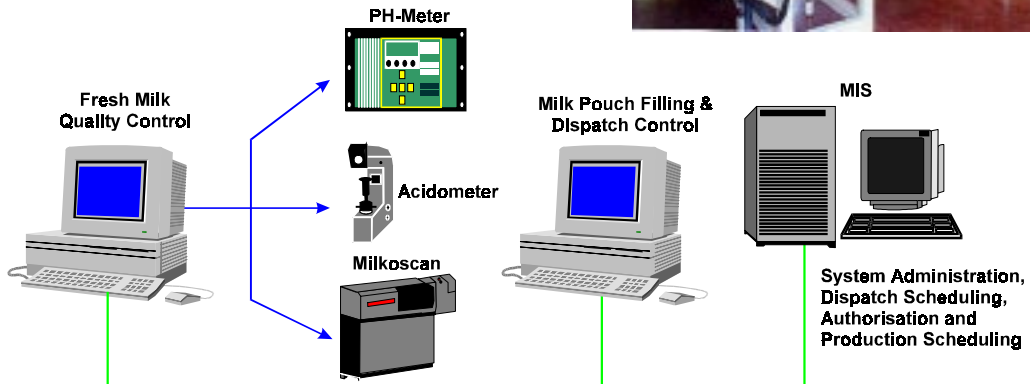


Dairy Automa



tion System



A typical dairy automation system. The entire process is fully automated from reception of fresh milk upto milk dispatch using process controllers, 'Panorama' operator station, process instrumentation and MIS system communicating over plant wide Ethernet network.

The MIS package - interactive application software developed on Visual C++, MS Access and Crystal Reports for system administration, dispatch scheduling, authorisation and production scheduling.